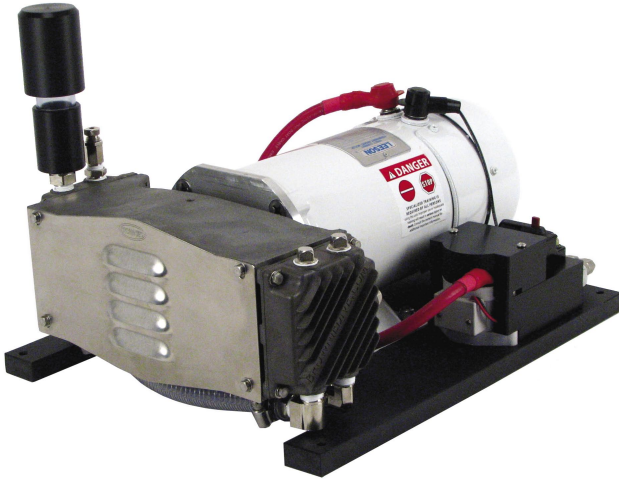


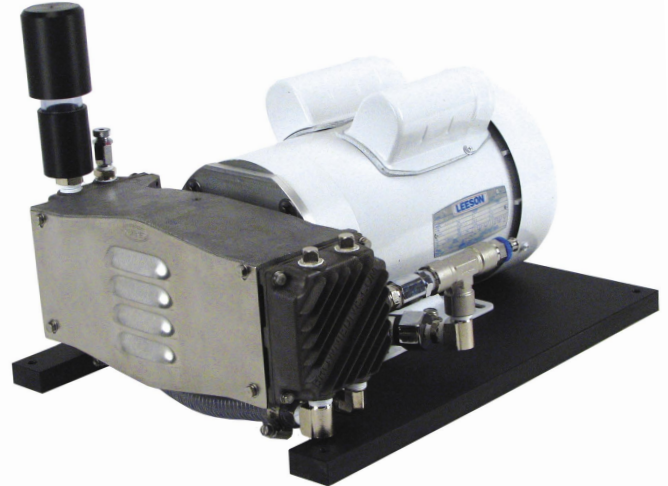


Electric Powered Low Pressure Air Compressors

(Ship's Air and Air Breathing Quality Diving Compressors)



DC Powered 12v or 24v



AC Powered 115v or 230v

EC2 series sealed motor compressor

Engineered and built for clean, long-life boating applications

- Oil-less, non lubricated rocking piston design
- Dynamic seal cup design increases seal surface on compression stroke
- Reinforced PTFE seal cup material formulated to improve as temperatures increase while also providing excellent chemical resistance and very low coefficient of friction
- Thin wall, hard coat anodized cylinder for excellent heat transfer
- Stainless steel reed valves with high-flow, hard coat anodized valve plate and long fin head assembly
- Permanently lubricated shaft bearing
- Totally enclosed sealed motor with white marine paint
- Solid-state spark-free electronic pressure switch and starter switch

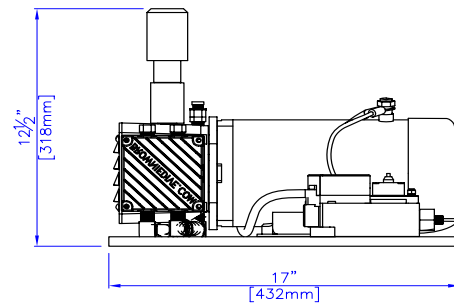
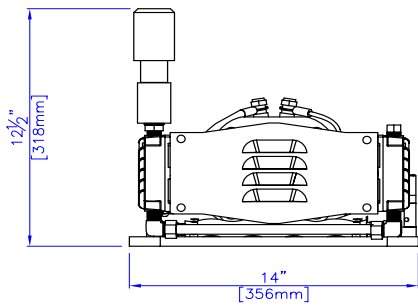
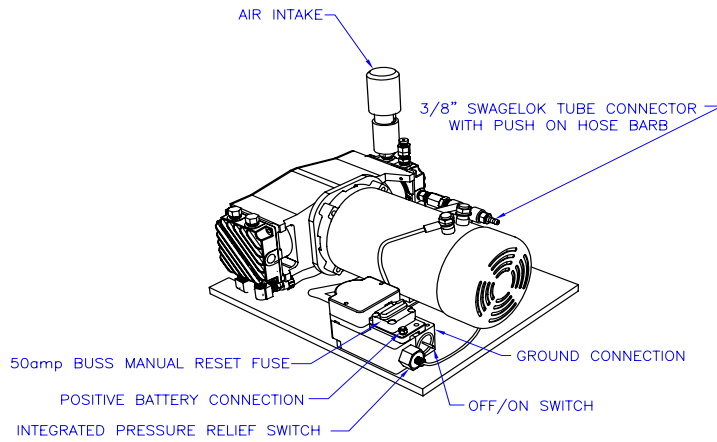
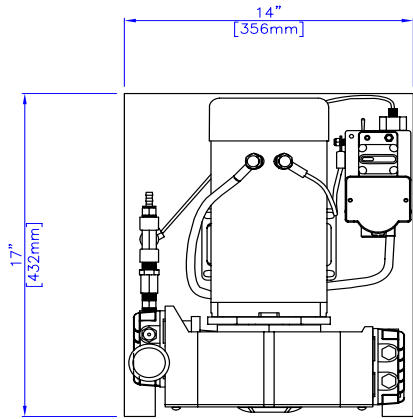
Applications

Originally designed for diving service in demanding environments, the feature benefits result in the perfect air-source for all onboard pneumatic needs. Obvious uses; Pneumatic engine controls, fender/tender inflation, pneumatic seals, door openers, tool air, sanitary systems, hatch lifting, actuators, and horns.

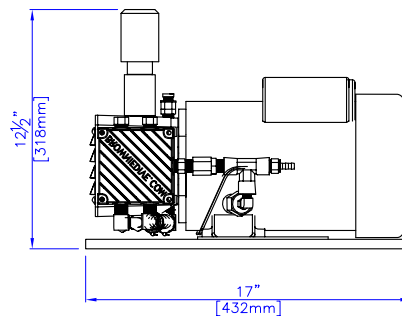
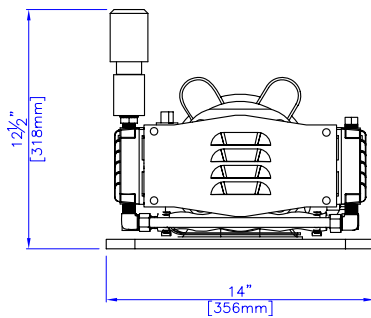
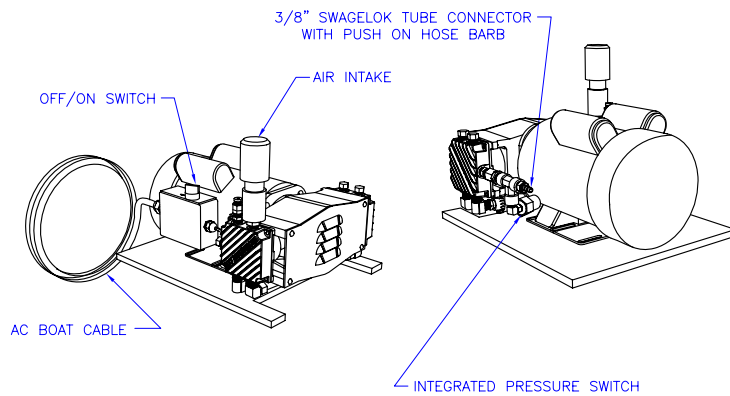
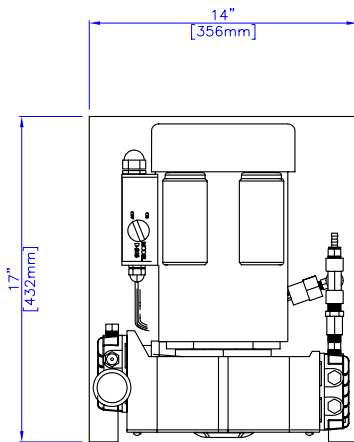
Model	Motor	Max Draw	Breaker Integrated	Air Outlet	Flow Rate	Max Pressure	Dimensions (L x W x H)	Weight
EC2-1/12	Perm. Magnet 1 HP TENV	80-amps	120-amp Sealed Manual Reset	3/8 SWAGELOK tube connector with push-on hose barb for rapid custom hose install	5.5 CFM @ 50 psi <i>(156 l/min)</i>	60/100 PSI 4.1 / 6.9 bar (specify at time of order)	17" x 14" x12 1/2" (432 x 356 x 318mm)	55lbs
EC2-1/24		40-amps	50-amp Sealed Manual Reset				17" x 14" x12 1/2" (432 x 356 x 318mm)	55lbs
EC2-1.5/115/60	Capacitor Start 1.5 HP TEFC	17.2-amps	---				17" x 14" x12 1/2" (432 x 356 x 318mm)	58lbs
EC2-1.5/230/60	8.6-amps	---	17" x 14" x12 1/2" (432 x 356 x 318mm)				58lbs	

Drawings

EC2 - DC Powered



EC2 - AC Powered



Information is current at the time of publishing and may change at any time without prior notification or obligation.